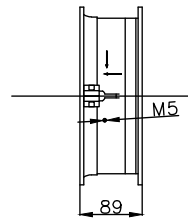
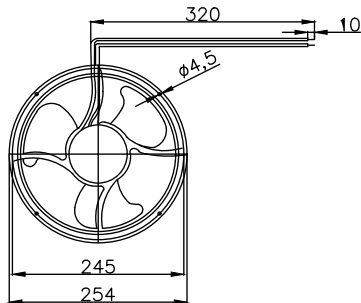


NA25489

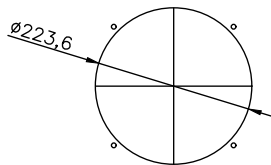


General Specification

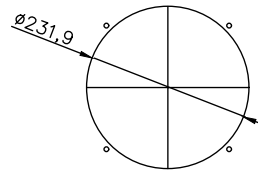
Size: 254×89mm
 Airflow: 760~1528m³/hr 450~910CFM
 Weight: 2200g
 Noise: 63-68dBA
 Impeller: PBT Black
 Frame: Aluminum Alloy
 Terminals: 0.5mm
 Lead Wire: AWG#22
 Motor: Capacitor-Run Induction Motor
 Operation Temperature: -10°C~+70°C



INLET



OUTLET



Specific Parameters

Model Number	Bearing Type	Voltage (V)	Freq. (Hz)	Current (A)	Power (W)	Speed (RPM)	Noise (dBA)	Air Flow	
								M ³ /hr	CFM
25489-230BL	Ball	230VAC	50	0.23	48	2750	65	760	450
25489-230BM	Ball	230VAC	50	0.23	48	2750	72	940	560
25489-230BH	Ball	230VAC	50	0.5	118	2800	78	1528	910

"B" means Ball, "H" means High Speed
 Current, Speed can be customer made

